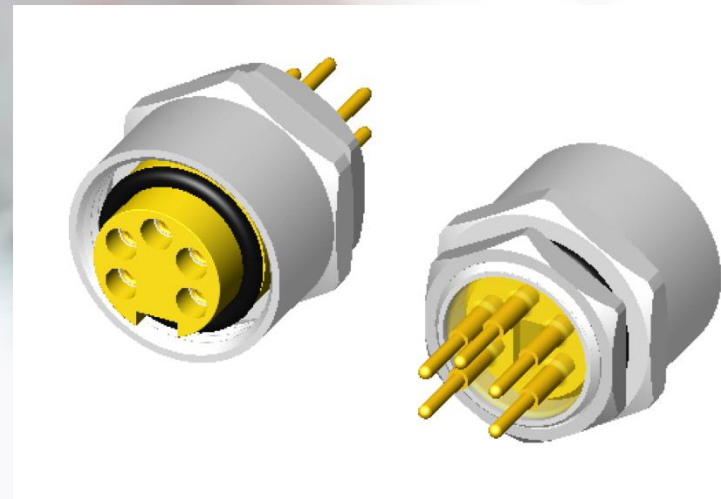
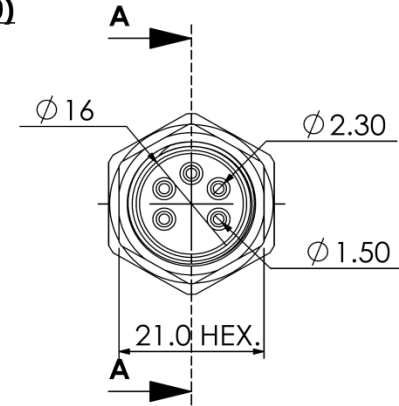
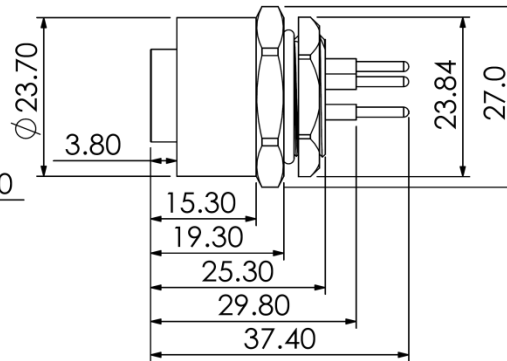
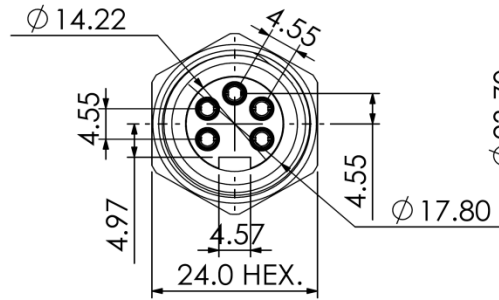
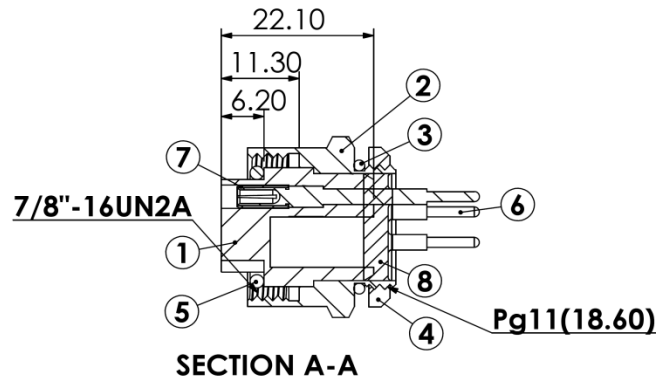
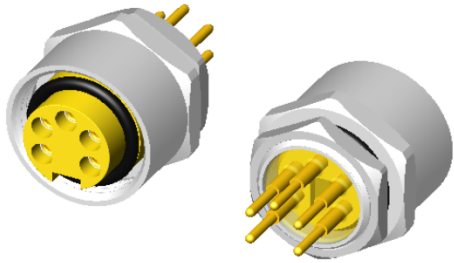


WATERPROOF CONNECTORS

- **IP67 M22 FEMALE SOCKETS**
- **5.6 PINS**
- **PANEL MOUNT**
- **WP2205JPR**
- **WP2206JPR**

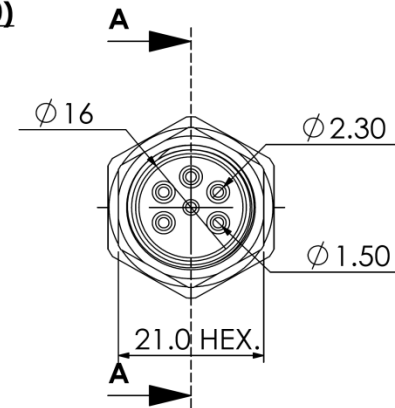
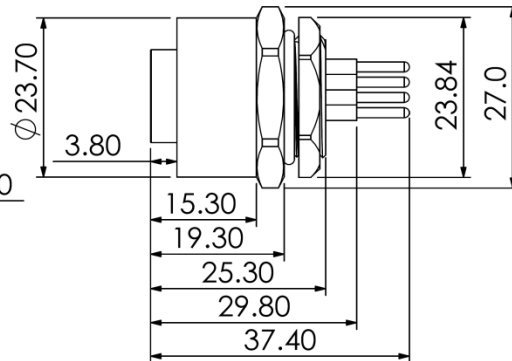
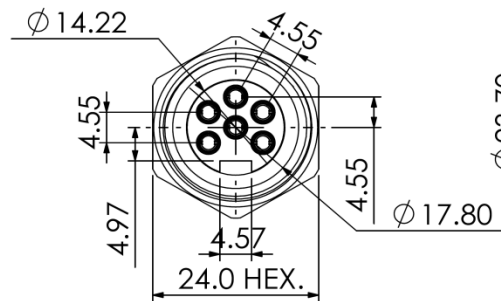
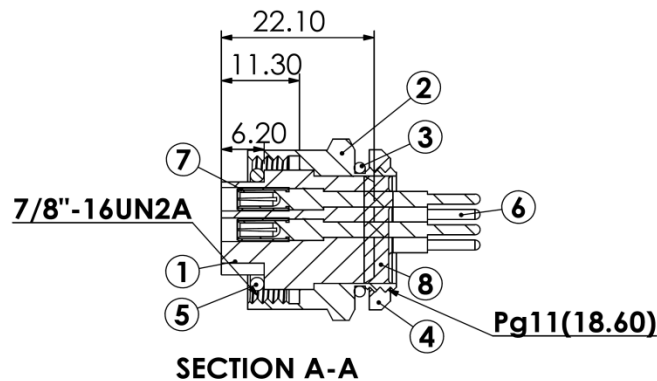
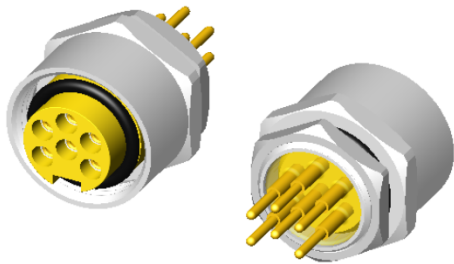




No.	Description	Material	Treat	Q'ty
1	Housing	Thermoplastic	UL94V-0 Yellow	1
2	Shield Cover	Brass	Nickel Ptd.	1
3	Seal Ring	NBR	Black	1
4	Screw Nut	Brass	Nickel Ptd.	1
5	O-Ring	NBR	Black	1
6	Terminals	Brass	Gold Ptd.	5
7	Ring Cap	Brass	Nickel Ptd.	5
8	Glue	3M		1

SPECIFICATION :
CURRENT : 12A
OPERATING TEMPERATURE : -50°C TO 105°C
INSULATION RESISTANCE : 1000MΩ min.
DIELETRIC STRENGTH : 500V AC min.

俞昌有限公司 YEU TSANG CO. LTD.	品名: ITEM :	5P M22 WATER TIGHT SOCKET PANEL MOUNT			一般公差	SHEET:	單位: unit:	mm	日期: date:	'08/03/26	繪圖: drwn by:	DanielShyr
	料號: PART NO	WP2205JPR	圖號: DRW NO.			.X +/-0.25 .XX +/-0.10		比例: scale:	1 : 1	版本: version:	V. 1.0	核准: apr vld by:



No.	Description	Material	Treat	Q'ty
1	Housing	Thermoplastic	UL94V-0 Yellow	1
2	Shield Cover	Brass	Nickel Ptd.	1
3	Seal Ring	NBR	Black	1
4	Screw Nut	Brass	Nickel Ptd.	1
5	O-Ring	NBR	Black	1
6	Terminals	Brass	Gold Ptd.	6
7	Ring Cap	Brass	Nickel Ptd.	6
8	Glue	3M		1

SPECIFICATION :

CURRENT : 12A

OPERATING TEMPERATURE : -50°C TO 105°C

INSULATION RESISTANCE : 1000MΩ min.

DIELECTRIC STRENGTH : 500V AC min.

俞昌有限公司
YEU TSANG CO. LTD.

品名: **6P M22 WATER TIGHT SOCKET PANEL MOUNT**
ITEM :
料號: WP2206JPR PART NO.
圖號: DRW NO.



一般公差
.X +/0.25
.XX +/0.10

SHEET:
1
1

單位: mm
unit: mm
比例: 1 : 1
scale:

日期: '08/03/26
date:
版本: V. 1.0
version:

繪圖: DanielShyr
drwn by:
核准: SkyShyr
aprVld by: